



*SERVING THE FOOD INDUSTRY SINCE 1951*

## MEGA REFRIGERATED PREP TABLES

Item: 27953  
Model: PT-CN-0711-M

Item: 24268  
Model: PT-CN-1194-M

Item: 24275  
Model: PT-CN-1537-M



Omcan's Mega refrigerated prep tables provide ample storage space and 3/4" cutting boards / work area. Constructed of stainless steel and features self-closing doors.



Authorized Dealer



**LIMITED WARRANTY**

1 YEAR PARTS AND LABOUR  
5 YEARS PARTS ON COMPRESSOR



# FOOD EQUIPMENT

## MEGA REFRIGERATED PREP TABLES



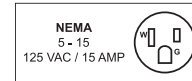
27953



24268/ 24275

### Features:

- 430 Stainless Steel exterior
- 304 Stainless Steel interior
- Mechanical Temperature controller
- Removable door gasket
- Plastic coated shelves.
- 3/4" thick cutting board
- The units automatically defrost
- Polyurethane insulation
- Self-closing doors
- Casters



|                           | 28" 5.65 Cu. Ft.                               | 47" 9.74 Cu. Ft.                                 | 60" 15.12 Cu. Ft.                                |
|---------------------------|--|--|--|
| ITEM NUMBER               | 27953  | 24268  | 24275  |
| MODEL                     | PT-CN-0711-M                                   | PT-CN-1194-M                                     | PT-CN-1537-M                                     |
| DESCRIPTION               | 28" Mega Refrigerator                          | 47" Mega Refrigerator                            | 60" Mega Refrigerator                            |
| TEMPERATURE RANGE         | 0°C ~ 10°C / 32°F ~ 50°F                       | 0°C ~ 10°C / 32°F ~ 50°F                         | 0°C ~ 10°C / 32°F ~ 50°F                         |
| MAX AMBIENT TEMP RATING   | 90°F   | 90°F   | 90°F   |
| POWER                     | 0.52 HP / 0.38 kW                              | 0.82 HP / 0.61 kW                                | 0.82 HP / 0.61 kW                                |
| ELECTRICAL                | 110 V / 60 Hz / 1                              | 110 V / 60 Hz / 1                                | 110 V / 60 Hz / 1                                |
| AMPS                      | 5.3  | 7.8  | 7.8  |
| REFRIGERANT               | R134a  | R134a  | R134a  |
| ISOLATION MATERIAL        | R141b  | R141b  | R141b  |
| COOLING SYSTEM            | Ventilated                                     | Ventilated                                       | Ventilated                                       |
| INSERT CAPACITY           | nine 1/6 pans                                  | eighteen 1/6 pans                                | twenty four 1/6 pans                             |
| NUMBER OF DOORS           | 1  | 2  | 2  |
| NUMBER OF SHELVES         | 1  | 2  | 2  |
| SHELF CAPACITY            | 90 lbs./ 41 kg.                                | 90 lbs./ 41 kg.                                  | 90 lbs./ 41 kg.                                  |
| EXTERIOR DIMENSIONS (WDH) | 28" x 34" x 46" /<br>711 x 863.6 x 1168 mm     | 47" x 34" x 46" /<br>1194 x 863.6 x 1168 mm      | 60" x 34" x 46" /<br>1524 x 863.6 x 1168 mm      |
| INTERIOR DIMENSIONS (WDH) | 24" x 23.82" x 23.5" /<br>609.6 x 605 x 597 mm | 42.83" x 23.82" x 23.5" /<br>1088 x 605 x 597 mm | 56.26" x 23.82" x 23.5" /<br>1429 x 605 x 597 mm |
| PACKAGING DIMENSIONS      | 31.8" x 39" x 49.13" /<br>808 x 991 x 486 mm   | 52.36" x 39" x 49.13" /<br>1330 x 991 x 486 mm   | 65.35" x 39" x 49.13" /<br>1660 x 991 x 486 mm   |
| NET VOLUME (CU. FT.)      | 5.65 cu. ft.                                   | 9.47 cu. ft.                                     | 15.12 cu. ft.                                    |
| WEIGHT                    | 198 lbs./ 90 kg.                               | 298 lbs./ 135 kg.                                | 353 lbs./ 160 kg.                                |
| PACKAGING WEIGHT          | 253 lbs./ 115 kg.                              | 375 lbs./ 170 kg.                                | 463 lbs./ 210 kg.                                |

## OMCAN INC.

Telephone: 1-800-465-0234  
 Fax: (905) 607-0234  
 Email: sales@omcan.com  
 Website: www.omcan.com

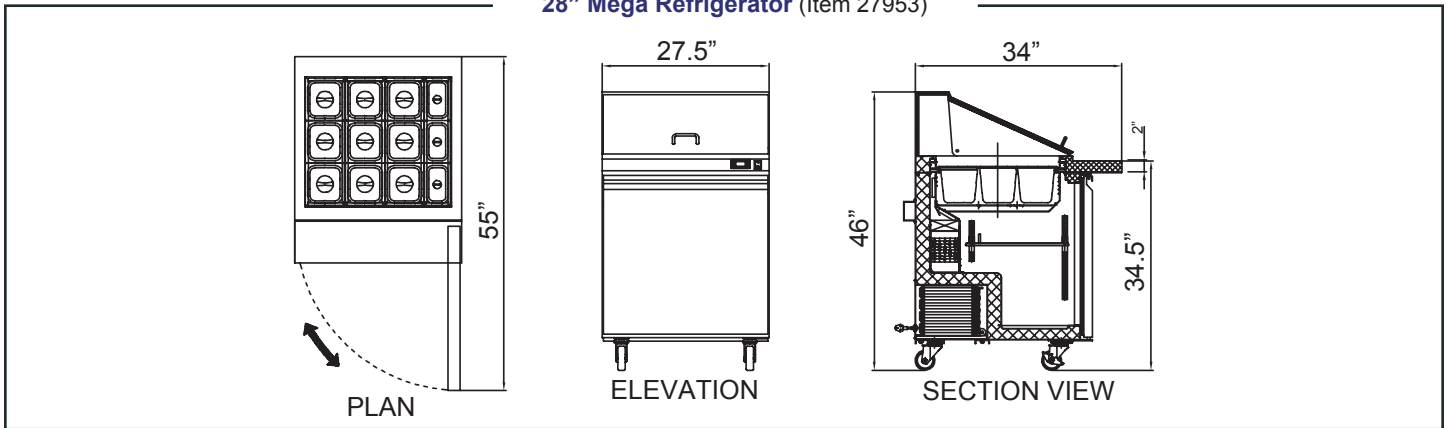


Follow us to keep up to date with the latest news and offers

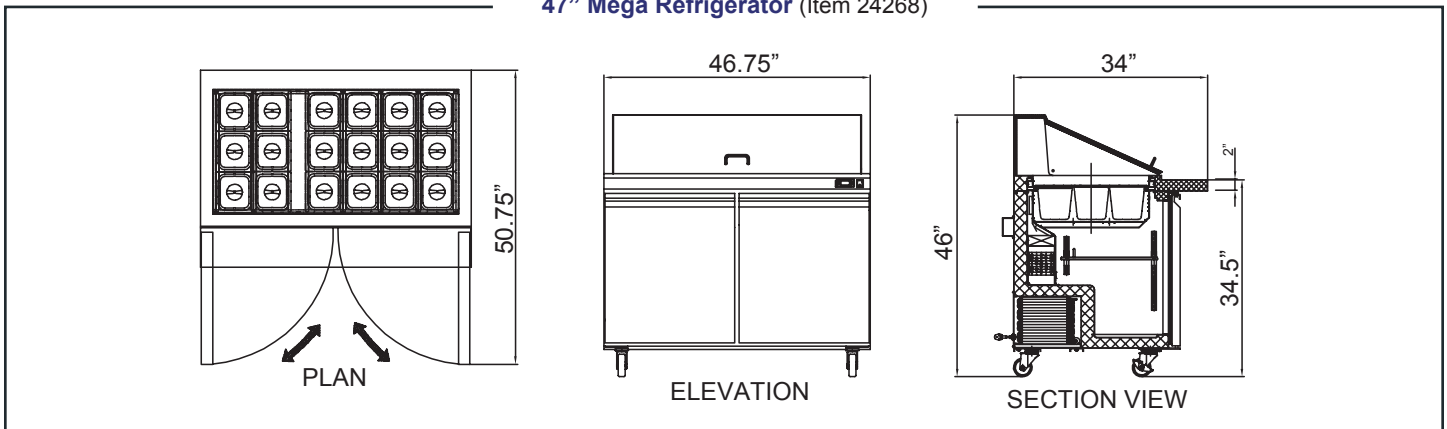


Technical drawing with dimensions:

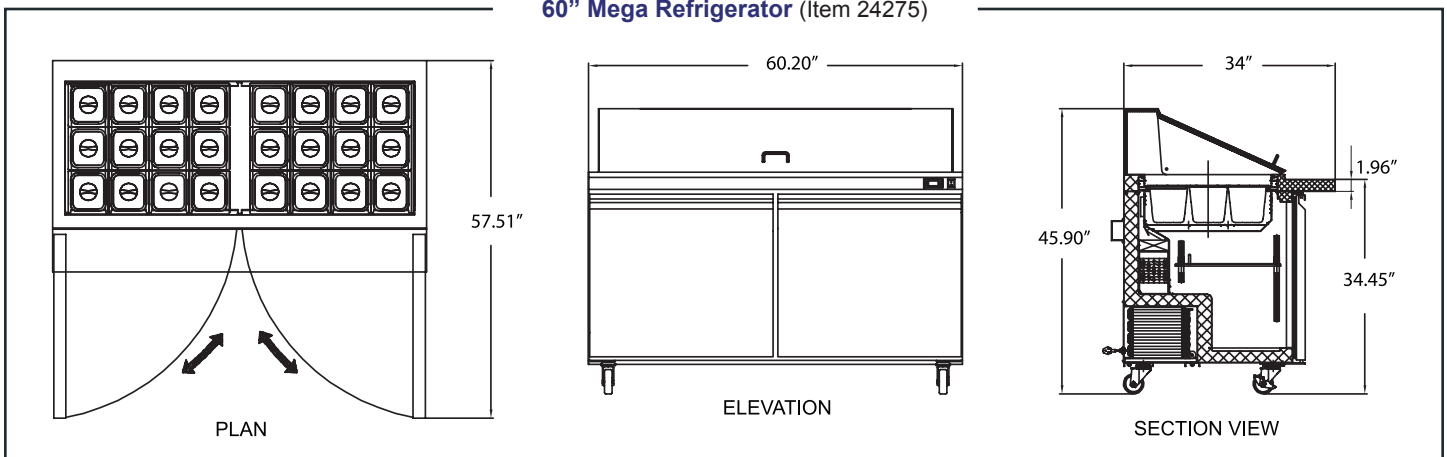
**28" Mega Refrigerator (Item 27953)**



**47" Mega Refrigerator (Item 24268)**



**60" Mega Refrigerator (Item 24275)**



**OMCAN INC.**

Telephone: 1-800-465-0234  
 Fax: (905) 607-0234  
 Email: sales@omcan.com  
 Website: www.omcan.com



Follow us to keep up to date with the latest news and offers

